

INNOVATION • DEDICATED • SERVICE • WIN-WIN



PLC

Innovation Dedicated Service Win-win



FRECON

FRECON ELECTRIC (SHENZHEN) CO., LTD.

Add: Floor3,Block C,F&D technology Park Baoan
Road Baoan District,Shenzhen,China

Tel: (+86)-0755-33067999

Fax: (+86)-0755-33067168

E-mail: fyi@frecon.com.cn

Hotline: 400-838-6909

[Http://www.frecon.com.cn](http://www.frecon.com.cn)



For FRECON Website
201703(V1.1)



FRECON ELECTRIC (SHENZHEN) CO., LTD.



About us

FRECON Electric (Shenzhen) Co.,Ltd.is subsidiary of CANTON SINO INTERNATIONAL LIMITED, locates in F&D technology Park Baoan Road Baoan District, Shenzhen, China, the "double soft enterprise" certified by Shenzhen Government (software enterprises qualified for a double-layered certification, which consists of software enterprise certification and national software product registration), the key high-tech enterprise supported by National, the professionalized enterprise in the field of industrial automation, energy-efficient, green energy. Our R&D team has more than 12 years experience in developing the field of Frequency Inverters, Servo Drives, Saving Cabinet, New Energy and other drive control systems, products power range 0.2KW~1MW, products conform to EU Safety Standard requirements in EMC and Safety Regulations, obtained CE Certificates, we obtained Inventions, utility models, Product appearance, software copyright, etc. dozen patents in independent intellectual property. Quality system strictly compliance with standards ISO9001:2008, fully confirming products coming with leading technology and reliable quality. Products widely use for equipment manufacture and energy-saving projects, main covers elevator, petroleum, chemical, steel, ceramics, air compressors, textile, drawing machine, machine tools, solar energy and other fields.

FRECON established five regional logistic centers in East China (Wuxi), South China (Shenzhen), North China (Beijing), West-South China (Chongqing), East-North China (Shenyang), a dozen agents in the whole country, built national coverage logistic and service network, also has regional partners in Russian, India, Vietnam, Iran, etc. with many years cooperation.



COMPANY HONOR

R&D and Production management system certified by TUV, quality management conform to ISO9001:2000 standard.



PL80 series PLC

■ PL80 series Motion Control Type PLC



RS232C



Ethernet

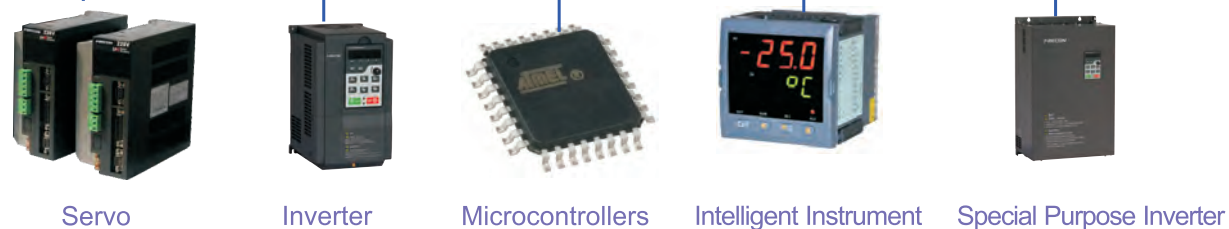


Open Network



Free Port Protocol/Modbus

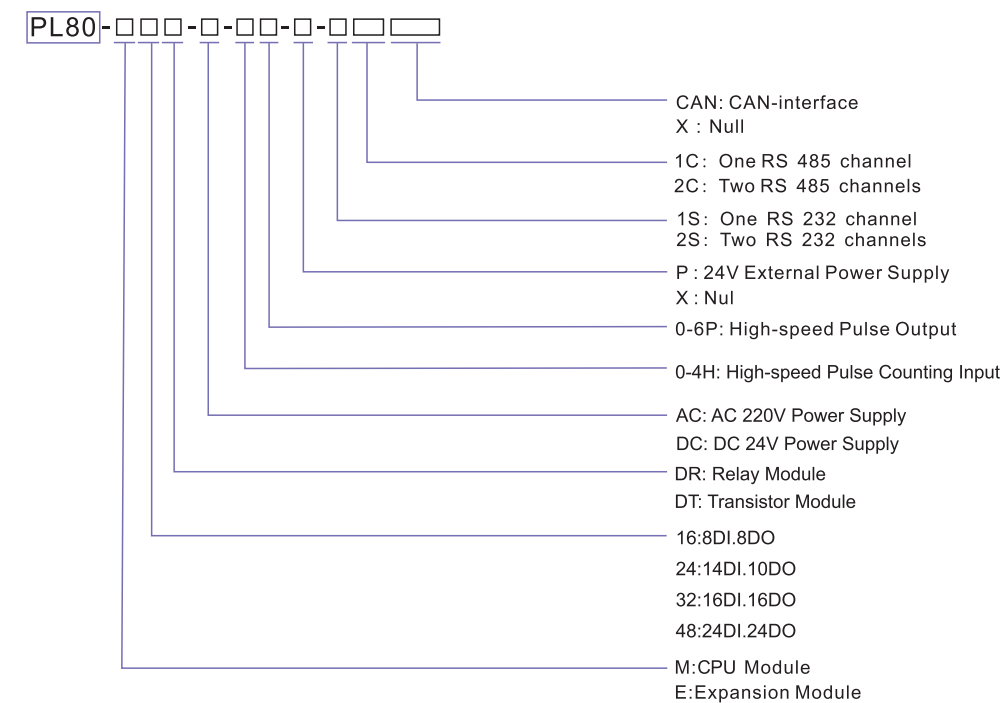
RS485 CAN



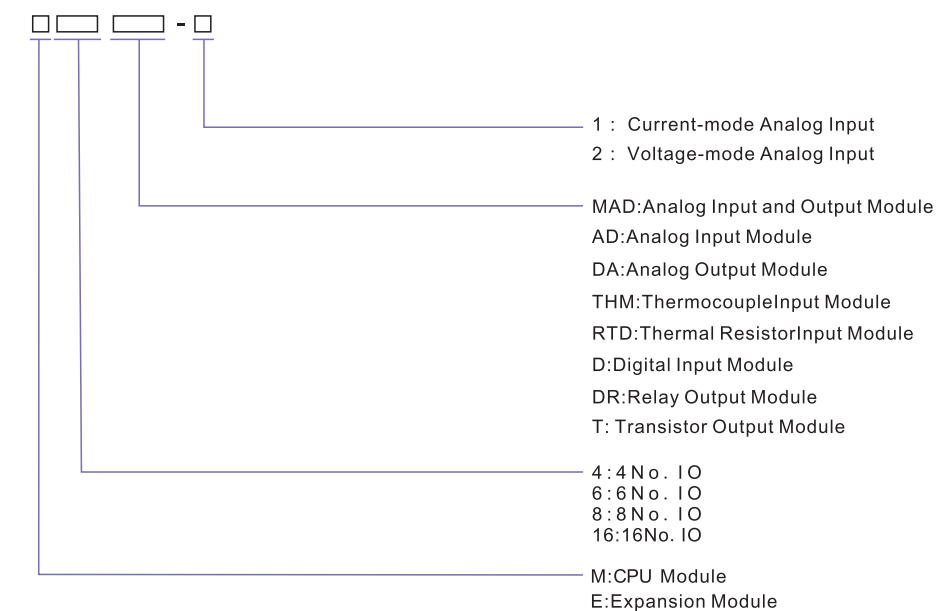
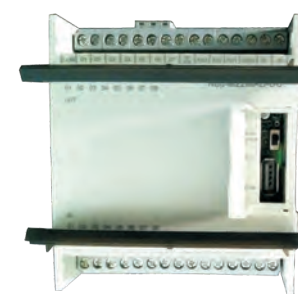
PL80 series PLC Model Naming

■ Main Module and I/O Extension Module Naming Rule

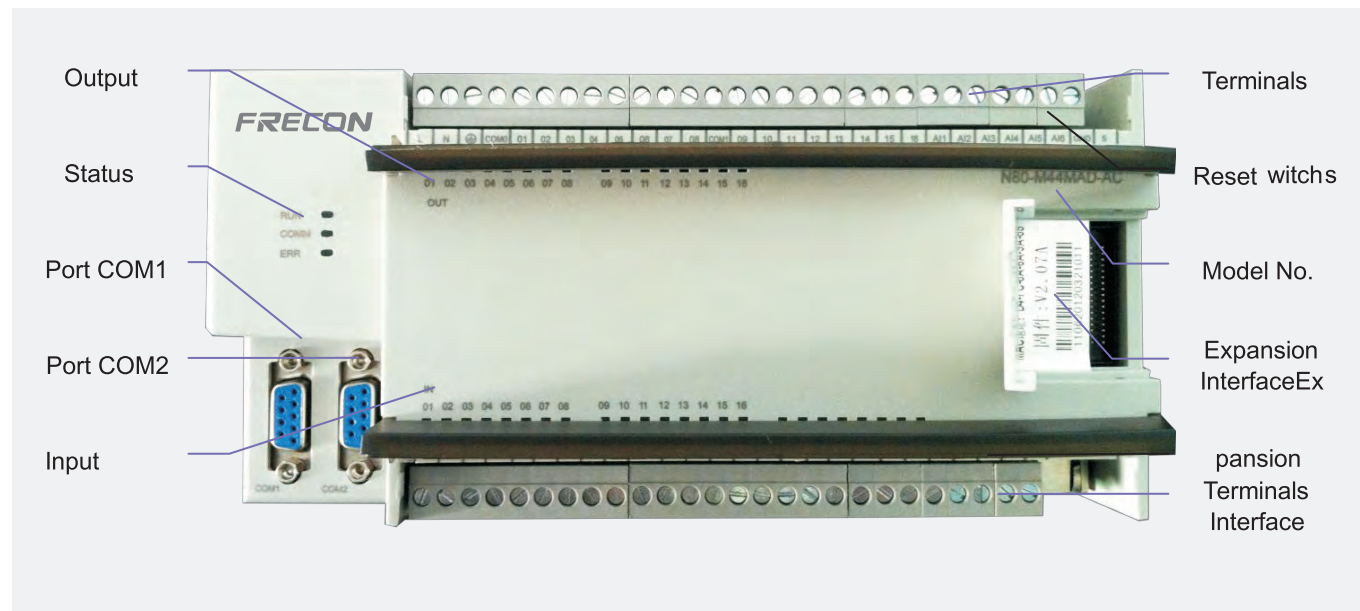
Example of standard CPU module selection



Extension Module Selection



Products cheme picture



PL80 Programmer—PLC Programming

Programming Software with Chinese Language

